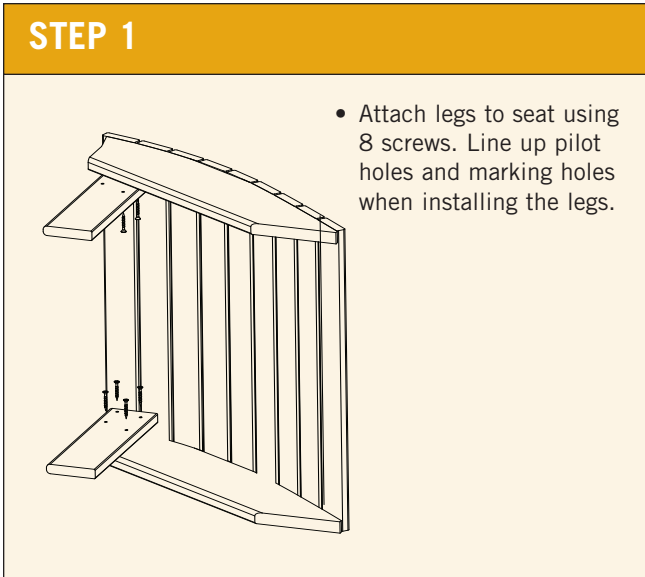
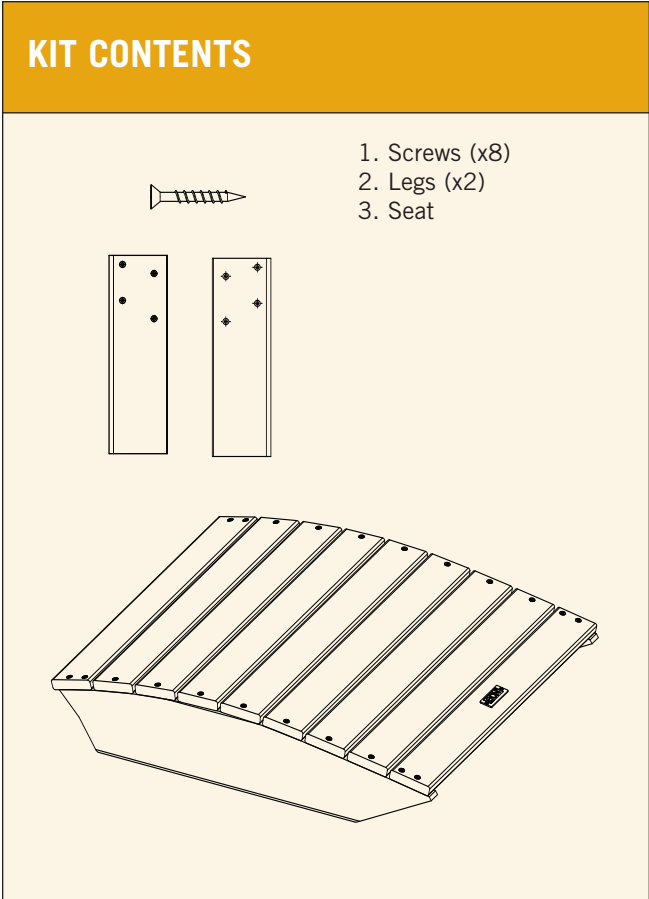
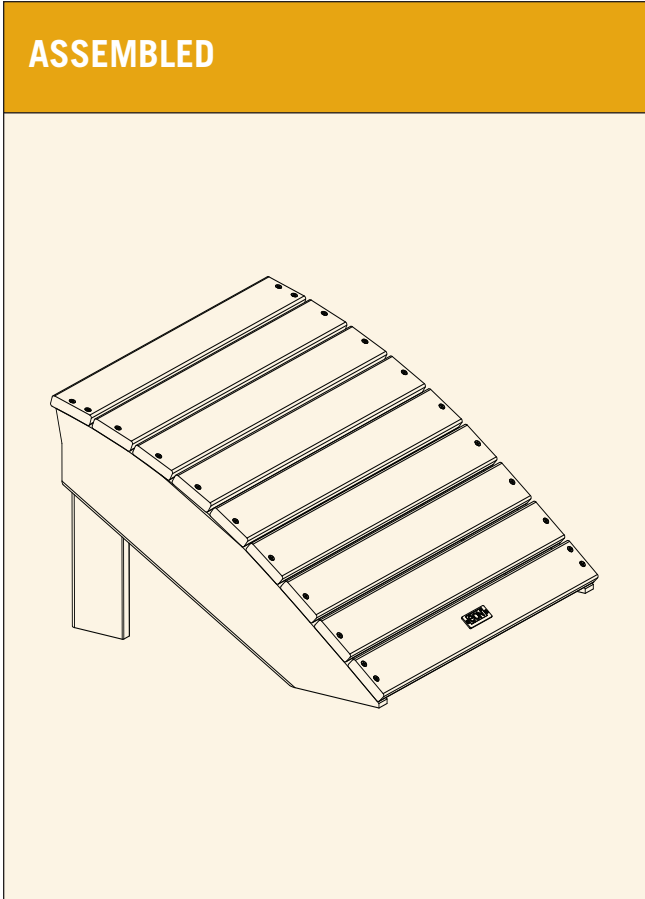




EON[®] SLANT OTTOMAN INSTALLATION GUIDE

Welcome to Eon. The following instruction manual will assist you with the installation of your virtually maintenance free Slant Ottoman.
TOOLS REQUIRED: Drill with #2 Phillips bit (or screwdriver).



NOTES:
