

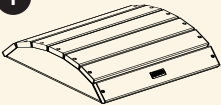

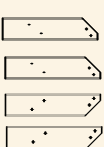
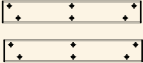




NATURAL BEAUTY that lasts

EON® ADIRONDACK OTTOMAN INSTALLATION GUIDE

Welcome to Eon. The following instruction manual will assist you with the installation of your virtually maintenance free Ottoman. **DO NOT DRAG PRODUCT ON ABRASIVE SURFACES.** Always use protective safety equipment where required (e.g. eyewear). **TOOLS REQUIRED:** #2 Phillips screwdriver

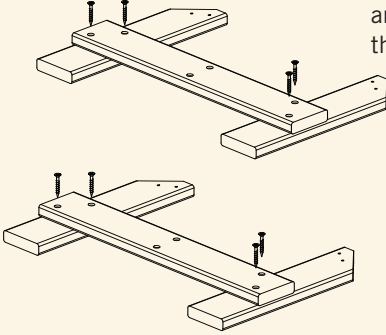
KIT CONTENTS

1 	2 	3 	4 	5 	<ol style="list-style-type: none"> 1. Ottoman Top (1) 2. Middle Support (1) 3. Legs (4) 4. Side Support (2) 5. 1 1/4" Screws (16) 6. 2" Screws (4)
				6 	



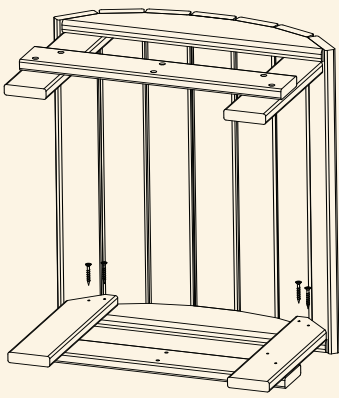
STEP 1

- Attach Side Supports to 2 legs using 4 – 1 1/4" screws each. Ensure each leg is angle cut towards the outside.



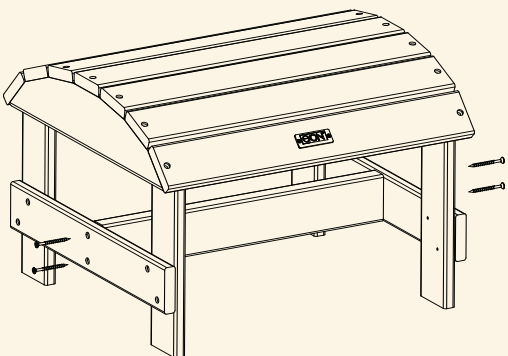
STEP 2

- Attach each leg assembly (with the leg support on the outside) to the Ottoman Top using 4 – 1 1/4" screws each.



STEP 3

- Attach the middle leg support using 4 – 2" screws.



For more information on Eon's complete matching collection of outdoor living products including decking, railing and fencing contact us at: 1 (866) 342-5366 / 1 (866) DIAL-EON or visit us at our website: www.eonoutdoor.com