



NATURAL BEAUTY that lasts

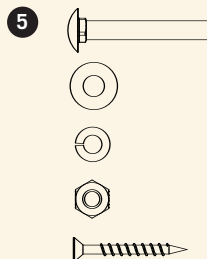
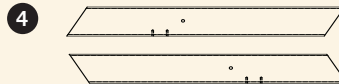
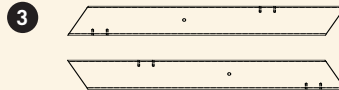
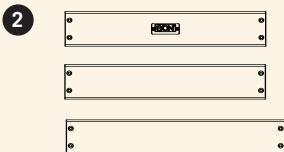
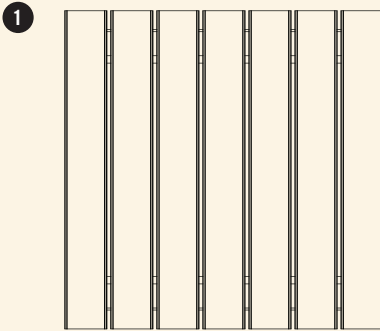
# EON® ADIRONDACK SIDE TABLE INSTALLATION GUIDE

Welcome to Eon. The following instruction manual will assist you with the installation of your virtually maintenance free Adirondack Side Table. **DO NOT DRAG PRODUCT ON ABRASIVE SURFACES.** Always use protective safety equipment where required (e.g. eyewear). **TOOLS REQUIRED:** Hammer, wrench 1/4", drill / screwdriver, #2 Phillips drill bit

## ASSEMBLED TABLE



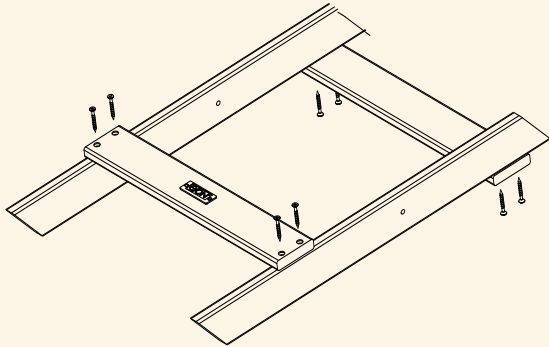
## KIT CONTENTS



1. Table top (assembled)
2. Support Slats (2 short, 1 long)
3. Table legs, 2 sets of holes each (2)
4. Table legs, 1 sets of holes each (2)
5. Screw pack:
  - 2" Bolts (2)
  - Washers (2)
  - Lock washers (2)
  - Nuts (2)
  - 1 1/2" screws (12)

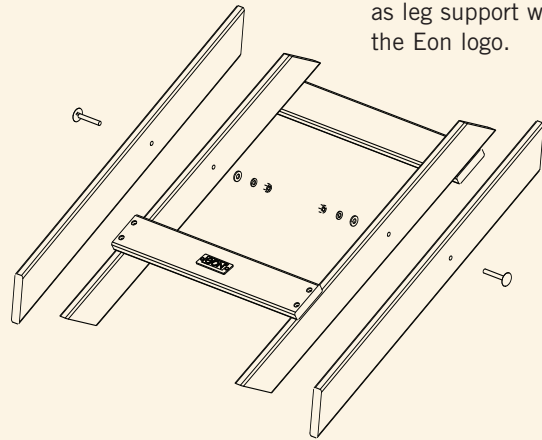
## STEP 1

- Attach 2 short support slats (#2) to 2 table legs (#3) using 8 screws (#5). Install the slat with the Eon logo to the bottom of the legs.



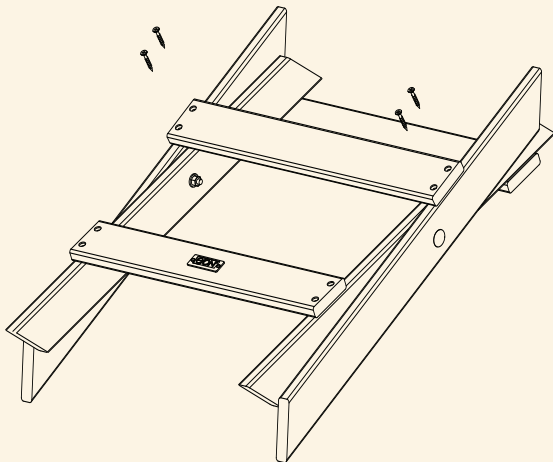
## STEP 2

- Using the bolts, washers, lock washers and nuts, fasten the other 2 legs (#4). Tap bolt through with hammer if necessary. Ensure Pre-drilled holes on the side of the legs face the same way as leg support with the Eon logo.



## STEP 3

- Attach the longer leg support (#2) to the leg assembly using 4 screws (#5).



## STEP 4

- Place table top on top of leg assembly. Ensure legs fit tightly into the grooves.

