



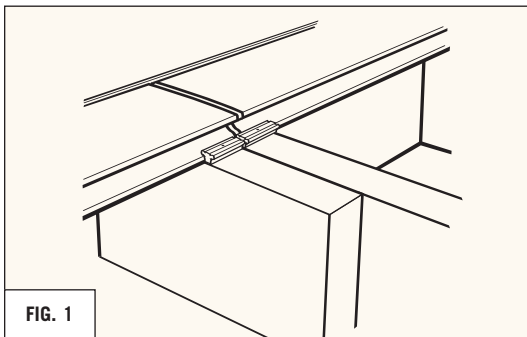
## EON® DECKING INSTALLATION OPTIONS

Welcome to EON®, Natural Beauty that lasts.

**EFFECTIVE 2005**

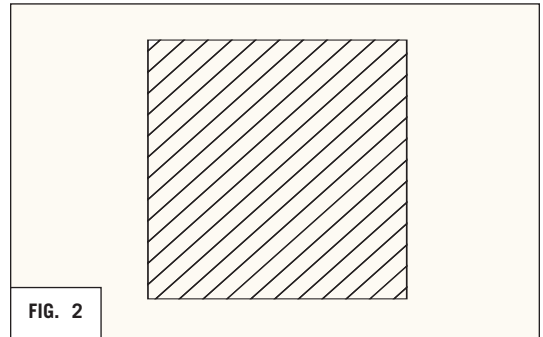
### STAGGERING DECK BOARD ENDS

- Since EON® deckboards expand and contract more than pressure-treated wood, staggering the deckboards to achieve a random pattern of end-to-end butt joints may not be suitable for your deck. Two main points must be considered when choosing to stagger deck boards with EON® material.
- Because EON® expands and contracts, use double joist thicknesses and separate T-clips at each end-to-end butt joint where deckboard ends meet. (REFER TO FIG. 1)
- Since the lengths of the deckboards may vary in a staggered pattern, the gaps required for expansion/contraction between the ends of deckboards may not be consistent. This may be apparent along the ends of a deck where the deckboard ends meet the fascia cladding, or along the length of breaker boards.



### DIAGONAL DECKING

- EON® meets or exceeds industry standards for 12" on center joist installation for diagonal decking. For enhanced feel and performance, EON® recommends 8" on center joist installation (diagonal installation).
- Since longer deckboards expand and contract more than shorter deckboards, please note that

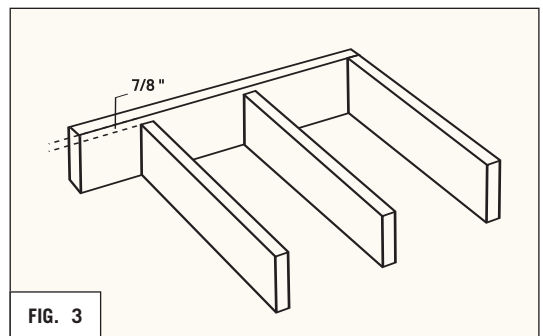


the gaps between the ends of longer deckboards and the fascia cladding will vary more than the gaps between the ends of shorter deckboards and the cladding.

- In order to install diagonal decking, we recommend installing the longest deckboards first, followed by the shorter deckboards working towards the corners.

### INSTALLING BULLNOSE ON ALL SIDES OF A DECK.

- In order to install trim around the entire perimeter of the deck, additional lumber bracing will be required to support the bullnose that runs perpendicular to the deck boards.
- Raise the rim joist and outer joists by 7/8" to support the bullnose. (REFER TO FIG. 3)



- Add bracing and 2x4 lumber to the deck where the bullnose runs parallel to the joists. For dimensions **REFER TO FIG. 4, 5, 6**. The 2x4 must be level with the inner joists, and 7/8" lower than the outer joist.
- Install bullnose trim on rim joist and outer joists first before installing decking. For only the T-clips that attach the bullnose perpendicular to the decking, trim the marked wing (with white line) off the T-clip. This wing will not be used in the

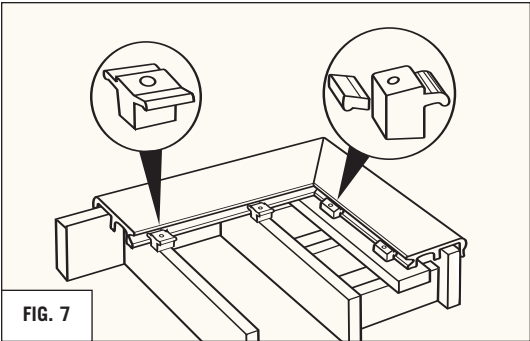


FIG. 7

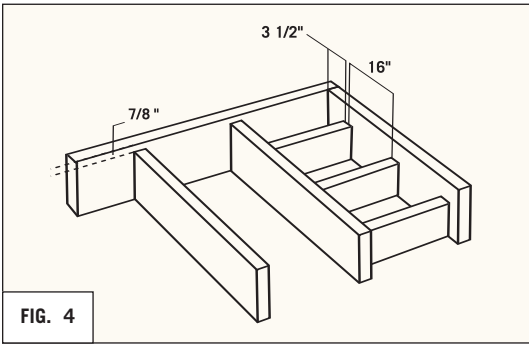


FIG. 4

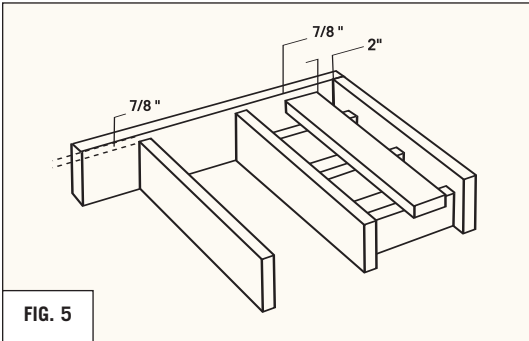


FIG. 5

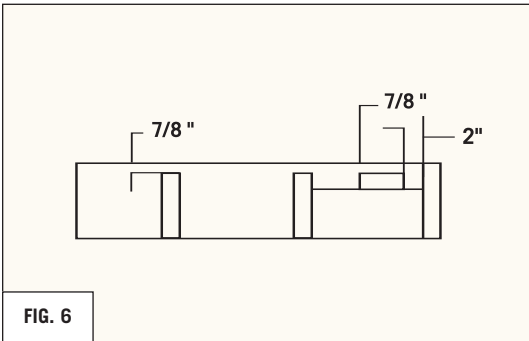


FIG. 6

installation. **DO NOT** alter the T-clips holding the bullnose that runs parallel to the decking.

**(REFER TO FIG. 7)**

- Cut decking to the exact desired length, leaving gaps for expansion/contraction. The ends of the deckboards will rest on the flat 2x4.

**(REFER TO FIG. 8)**

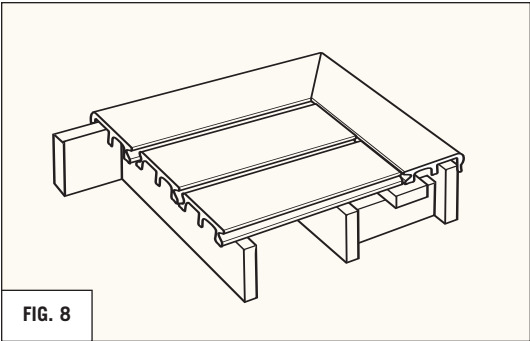


FIG. 8

- Some ends of the deckboards may interfere with the T-clips holding the perpendicular bullnose. In order to achieve the smallest gaps possible between the ends of the deckboards and the perpendicular bullnose, install or reposition the T-clips holding the perpendicular bullnose to meet the middle of the deckboards and cut back the middle leg of the deckboard ends that will meet the T-clips by about 3/8". Be sure to consider expansion of the deckboard. **(REFER TO FIG.9 AND 10)** Trim only enough of the deckboard center leg to provide adequate clearance for the T-clip.

