

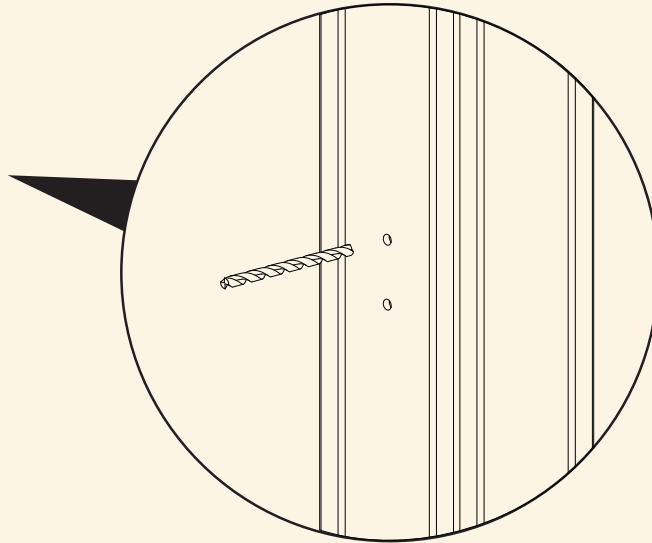
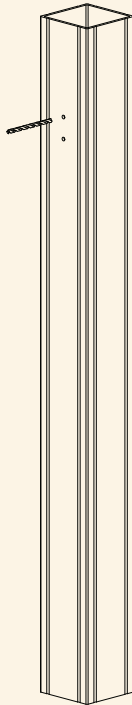


NATURAL BEAUTY that lasts

EON® RAILING POST SLEEVE

See Railing Installation Manuals for Complete Instructions.

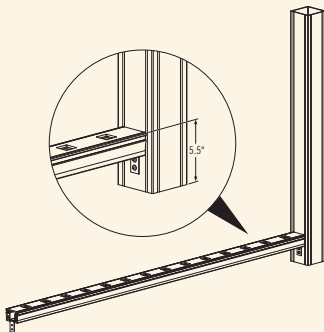
POST SLEEVE



- Post Sleeve must be pre-drilled 3/8" prior to attaching the Top and Bottom Rails

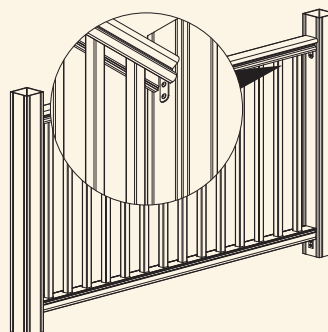
DURING RAILING INSTALLATION

- Pre-drill 3/8" hole
- Attach bottom rail to post



DURING RAILING INSTALLATION

- Pre-drill 3/8" hole
- Attach top rail to post



For more information on Eon's complete matching collection of outdoor living products including decking, railing and fencing contact us at: 1 (866) 342-5366 / 1 (866) DIAL-EON or visit us at our website: www.eonoutdoor.com