

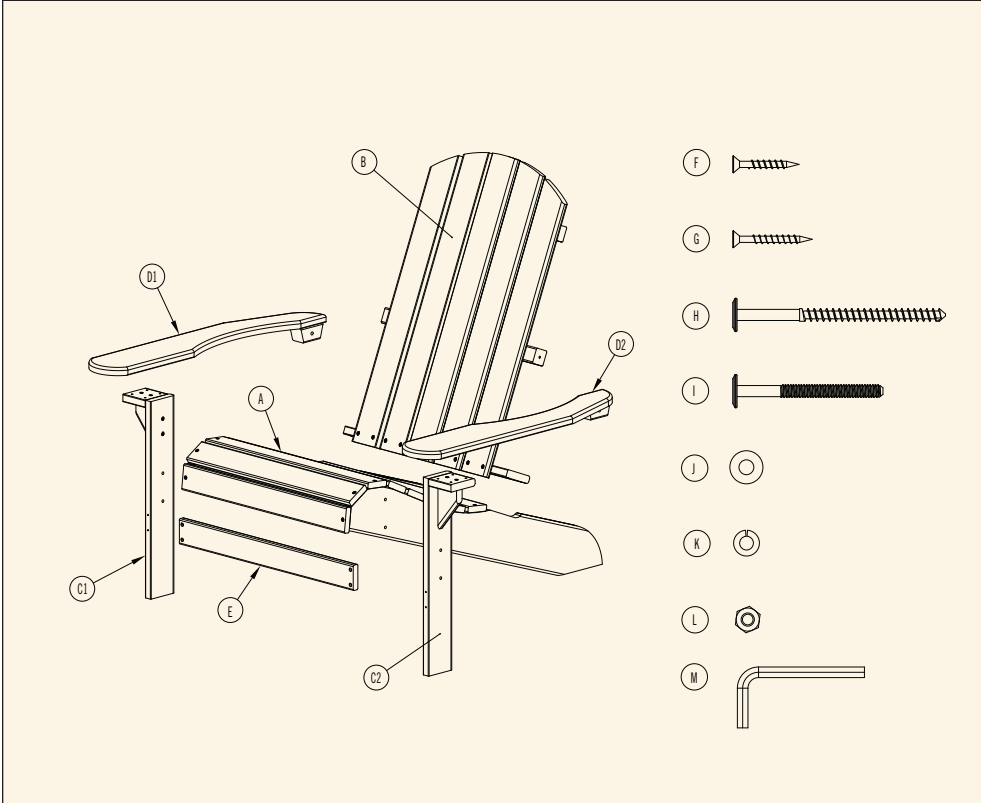
# MAINTENANCE-FREE CAPE COD CHAIR

The following instruction manual will assist you with the assembly of your virtually maintenance free Maintenance-Free Cap Cod Chair. **DO NOT DRAG PRODUCT ON ABRASIVE SURFACES.** Always use protective safety equipment where required (e.g. eyewear). **TOOLS REQUIRED:** Power drill, #2 Phillips screwdriver

## ASSEMBLED CHAIR

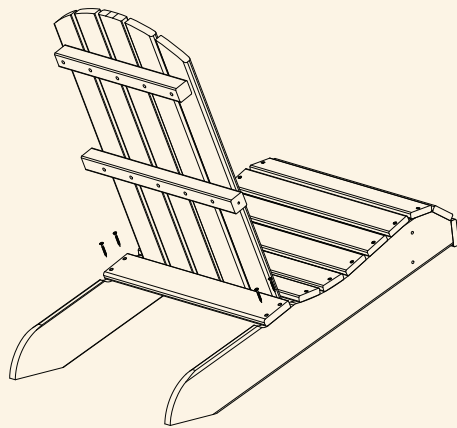


## KIT CONTENTS



- A. Seat assembly (1)
- B. Back assembly (1)
- C. Front Legs (2)
- D. Arms (2)
- E. Front Brace (1)
- F. 1 1/4" Screws (8)
- G. 1 1/2" Screws (8)
- H. 4" Screw (2)
- I. Bolt (4)
- J. Washer (4)
- K. Lock Washer (4)
- L. Nut (4)
- M. Hex (Allen) Key

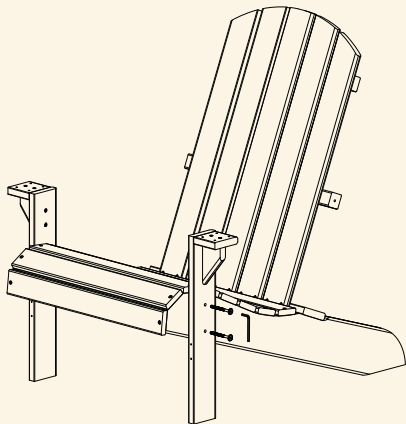
## STEP 1



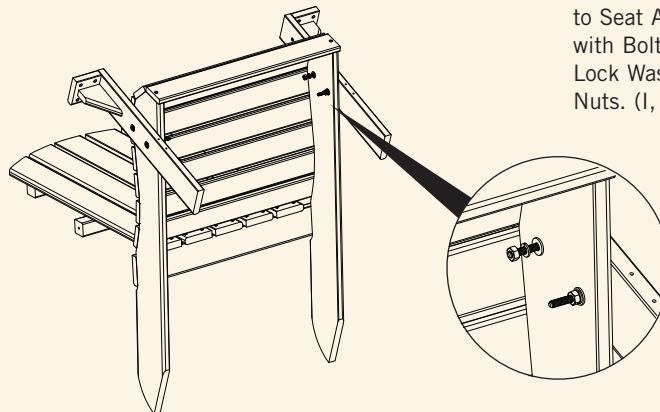
- Attach Back (B) to Seat Assembly (A) using four 1 ½" screws (G)



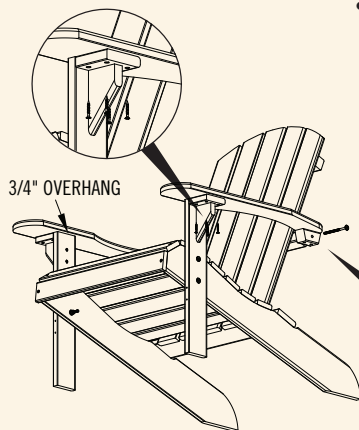
## STEP 2



- Attach Front Legs (C) to Seat Assembly (A) with Bolts, Washers, Lock Washers and Nuts. (I, J, K, L)



## STEP 3



- Fasten Arms (D) to Back (C) using two 4" screws (H). Then fasten Arms (D) to Front Legs (C) using eight 1 ½" screws (F). Armrests should overhang the inside of the front legs by ¾" as shown.

## STEP 4



- Fasten Front Brace (E) to Front Legs (C) using four 1 ½" screws (G).