

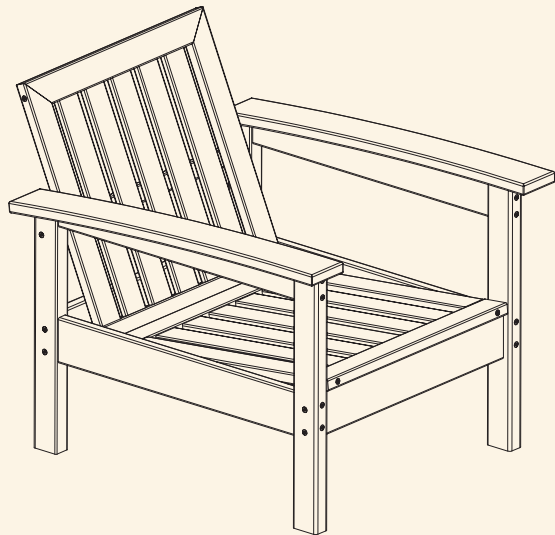


NATURAL BEAUTY that lasts

# EON® BANFF DEEP SEATING COLLECTION

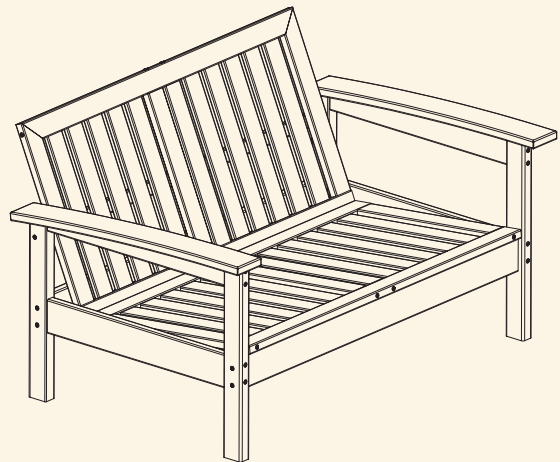
Welcome to Eon. The following instruction manual will assist you with the assembly of your virtually maintenance free Banff Deep Seating Collection. **DO NOT DRAG PRODUCT ON ABRASIVE SURFACES.** Always use protective safety equipment where required (e.g. eyewear). **TOOLS REQUIRED:** Power drill, #2 Phillips screwdriver **PLEASE NOTE:** Assembly instructions for the Eon Chair and Eon Loveseat are identical. Follow the same steps to assemble the Eon Loveseat.

## ASSEMBLED CHAIR



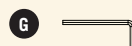
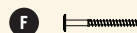
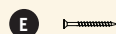
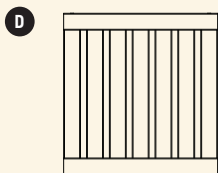
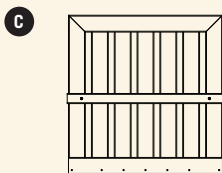
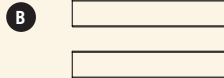
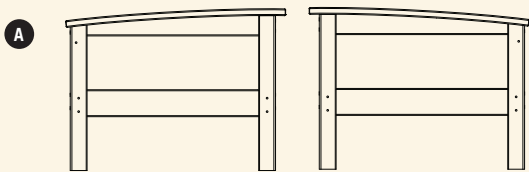
**NOTE:** Cushions sold separately

## ASSEMBLED LOVESEAT



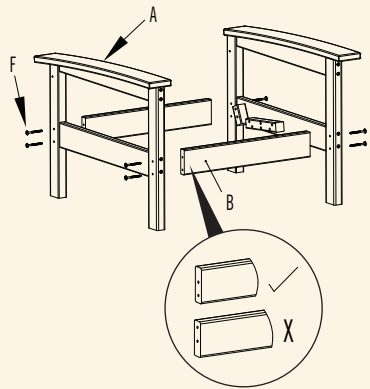
**NOTE:** Cushions sold separately

## KIT CONTENTS



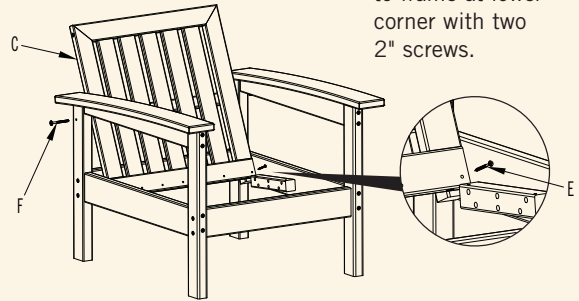
- A. Arm Rests & Legs
- B. Front and Back Braces
- C. Back Rest
- D. Seat
- E. 2" screws (17)
- F. Connector Screws (10)
- G. Hex Key

## STEP 1



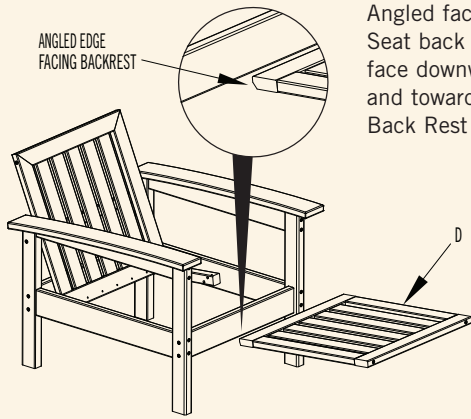
- Fasten Front and Back Braces (B) to Arm Rests & Legs (A) using eight Connector Screws. Please note correct position of holes on Braces.

## STEP 2



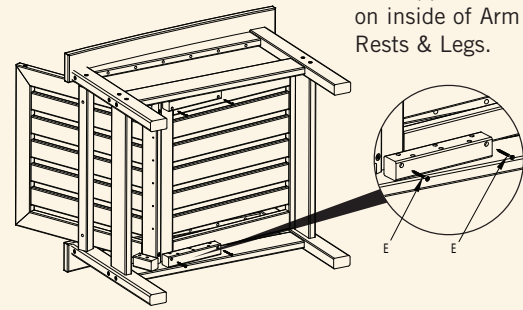
- Fasten Back Rest (C) to Arm Rest & Legs (A) using two Connector Screws. Fasten Back Rest to frame at lower corner with two 2" screws.

## STEP 3



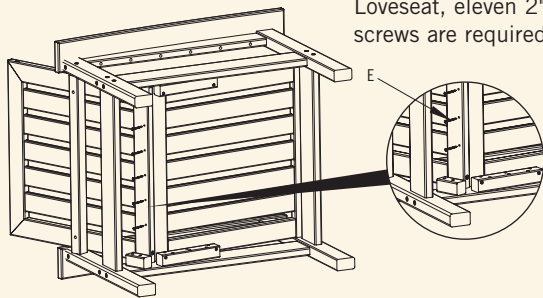
- Insert Seat (D). Angled face on Seat back must face downwards and towards Back Rest (C).

## STEP 4



- Secure Seat to the chair Arm Rests & Legs via four 2" screws through the support blocks on inside of Arm Rests & Legs.

## STEP 5



- Fasten Seat (D) to Back Rest (C) with five 2" screws through the Back Rest. Note that for the Eon Loveseat, eleven 2" screws are required.

### NOTES:

---



---



---



---



---



---



---



---



---



---