

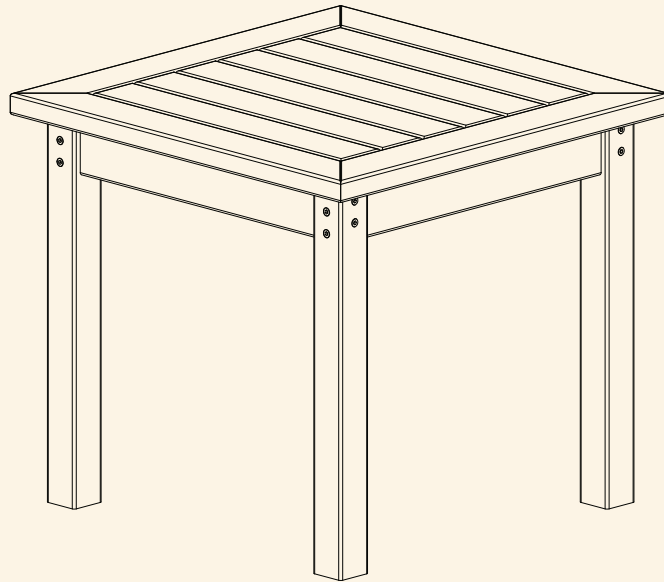


NATURAL BEAUTY that lasts

# EON® DEEP SEATING END TABLE

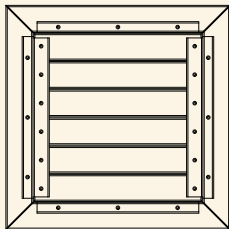
Welcome to Eon. The following instruction manual will assist you with the assembly of your virtually maintenance free Deep Seating End Table. **DO NOT DRAG PRODUCT ON ABRASIVE SURFACES.** Always use protective safety equipment where required (e.g. eyewear).

## ASSEMBLED TABLE

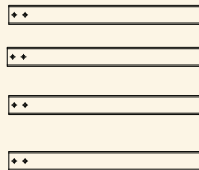


## KIT CONTENTS

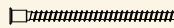
A



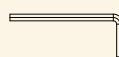
B



C

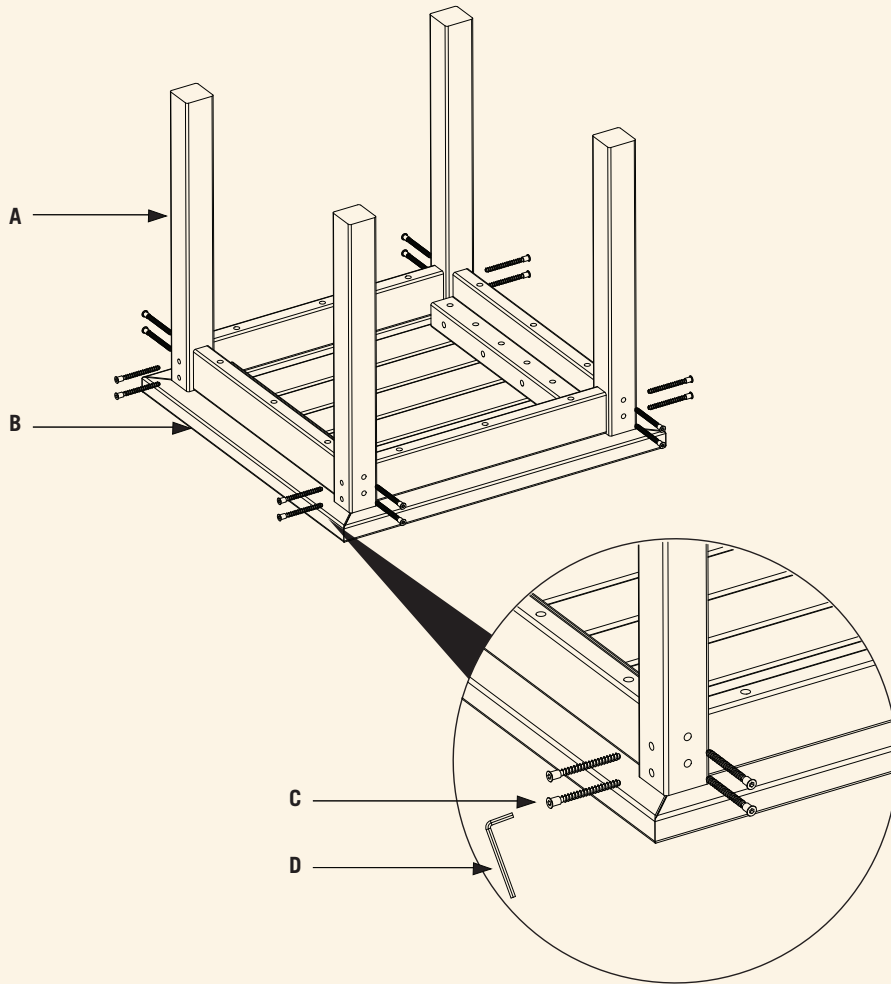


D



- A: Table Top
- B: Legs (x4)
- C: Bolt (x16)
- D: Hex Key (Allen Key) (x1)

# STEP 1



## NOTES:

---

---

---

---

---

---

---

---

---

---